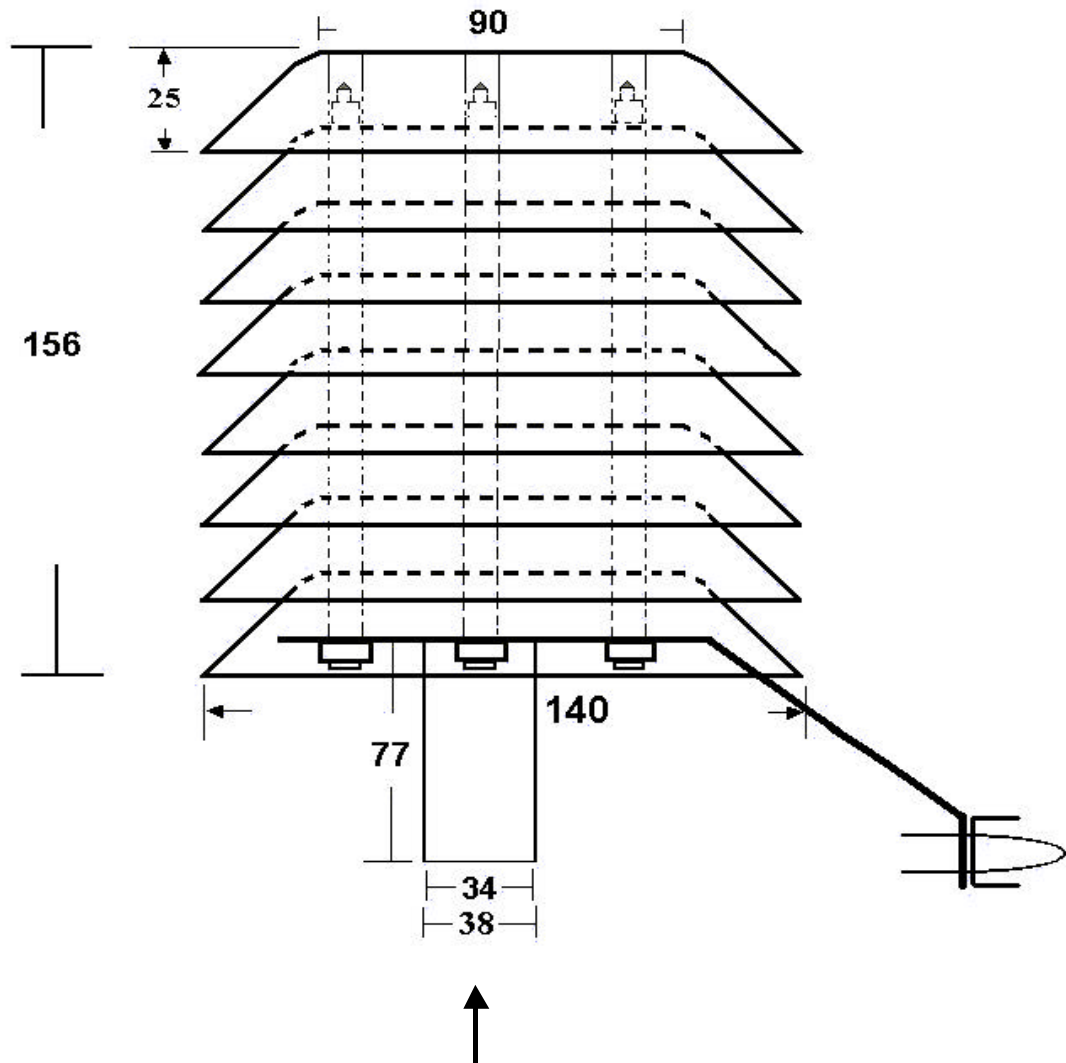


MODEL 888 MULTI-PLATE RADIATION SHIELD

Unit: mm

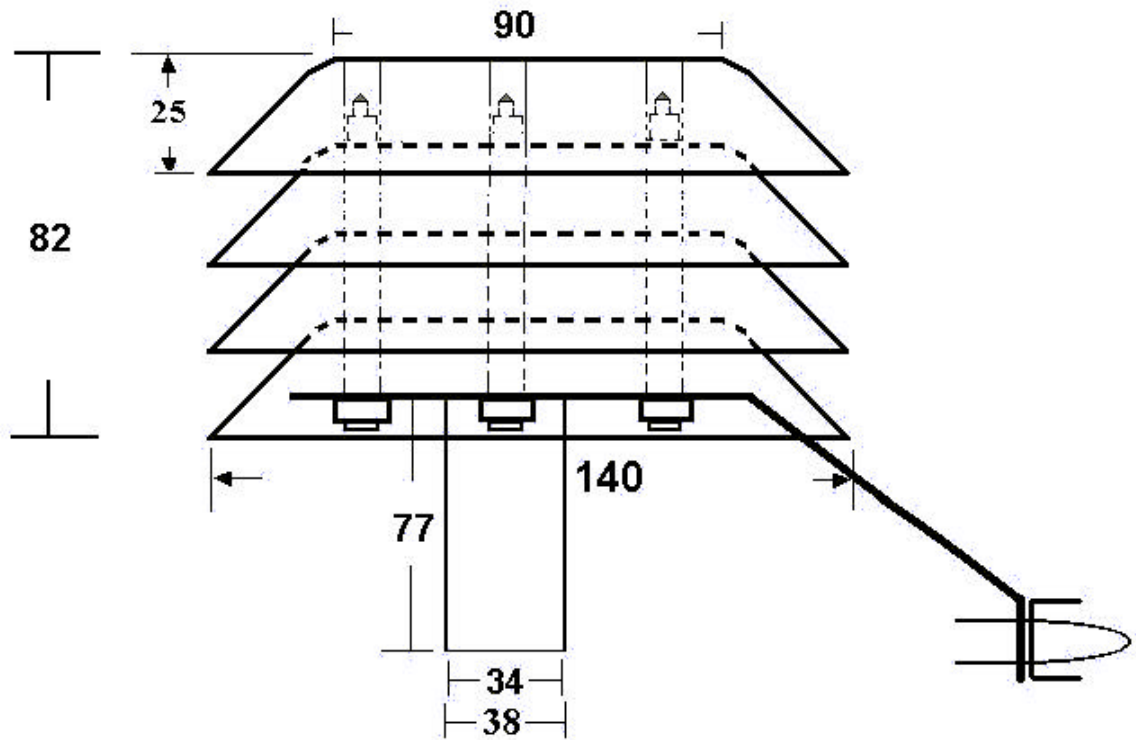


Outer diameter: 38

Inner diameter: 34

MODEL 884 MULTI-PLATE RADIATION SHIELD

Unit: mm



Outer diameter: 38

Inner diameter: 34

Material: UV stabilized white thermoplastic plates

Principle: Natural ventilation

No power required